

REVISIONS C XOVER1

DRAWN BK

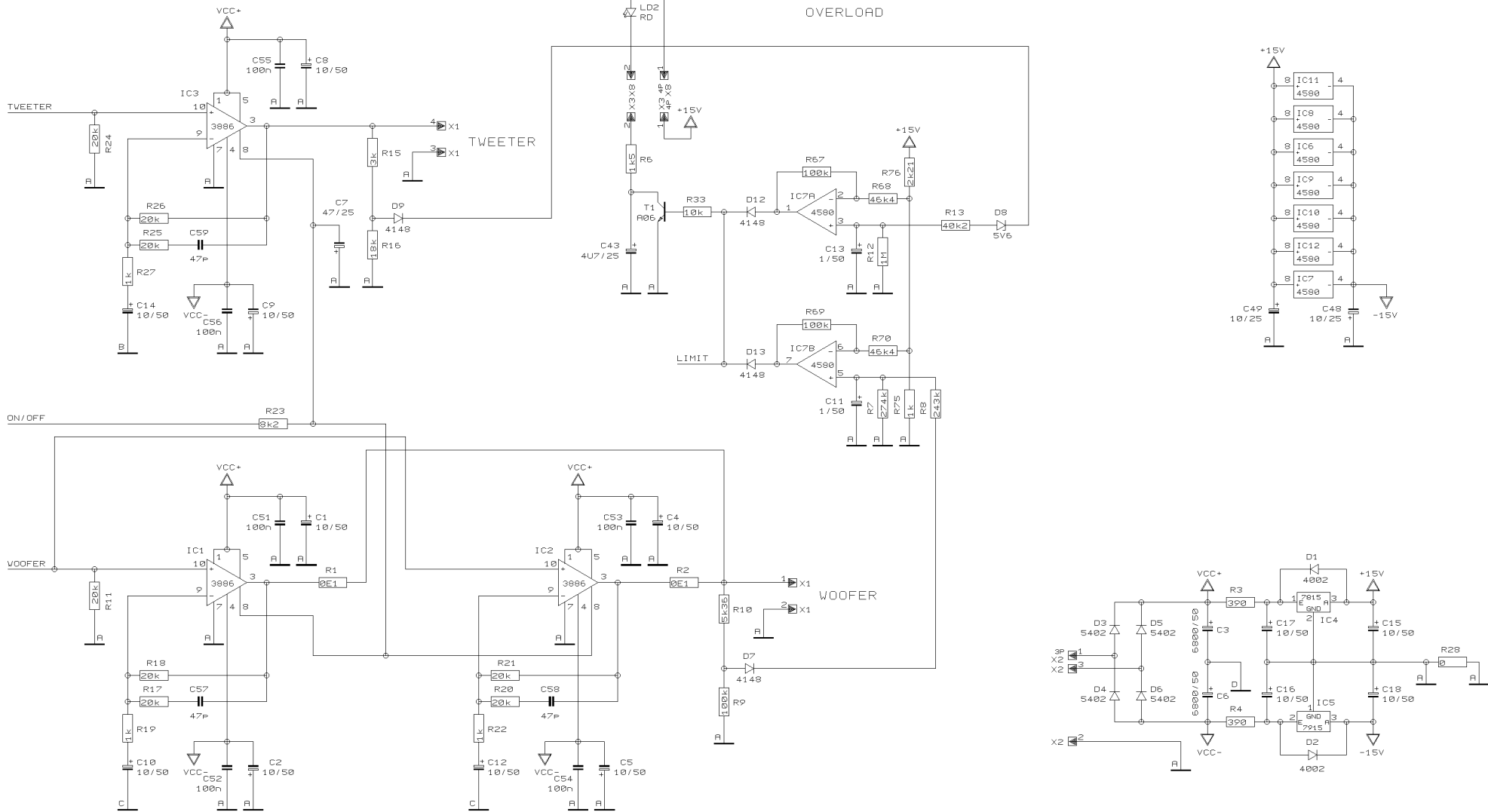
CHECKED

DATE 19.02. 1  
8:22



PROJECT  
B2031CA  
ULTIMATE  
INPUT & FILTER

SHEET 1 OF 2 SHEETS TOTAL



REVISIONS

B

DRAWN

BK

CHECKED

DATE 19.02. 1

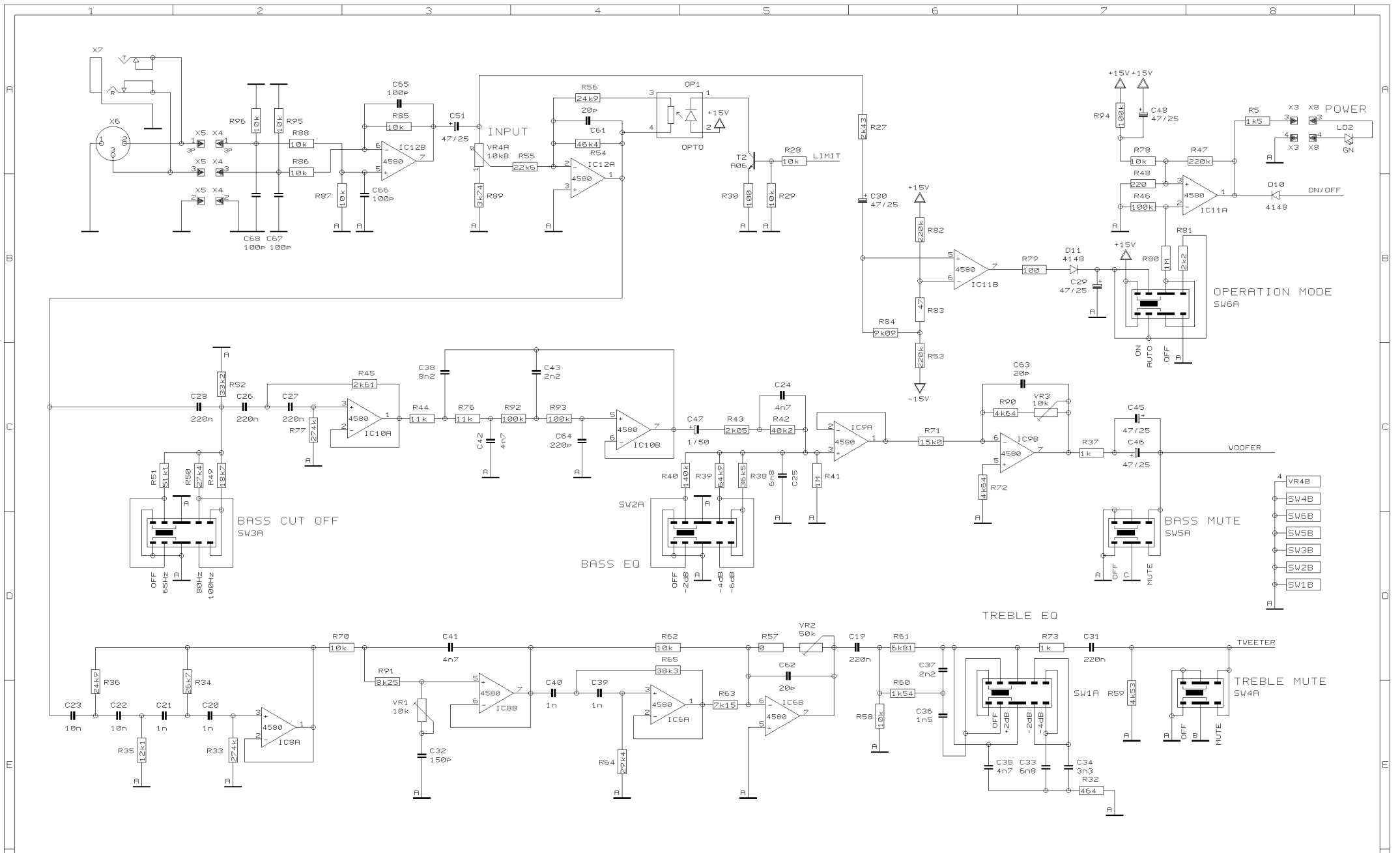
8:22

BEHRINGER®

Specialized Studio Equipment

PROJECT  
B2031CA  
ULTIMATE  
PSU & AMPS

SHEET 2 OF 2 SHEETS TOTAL



REVISIONS D XOVER120799

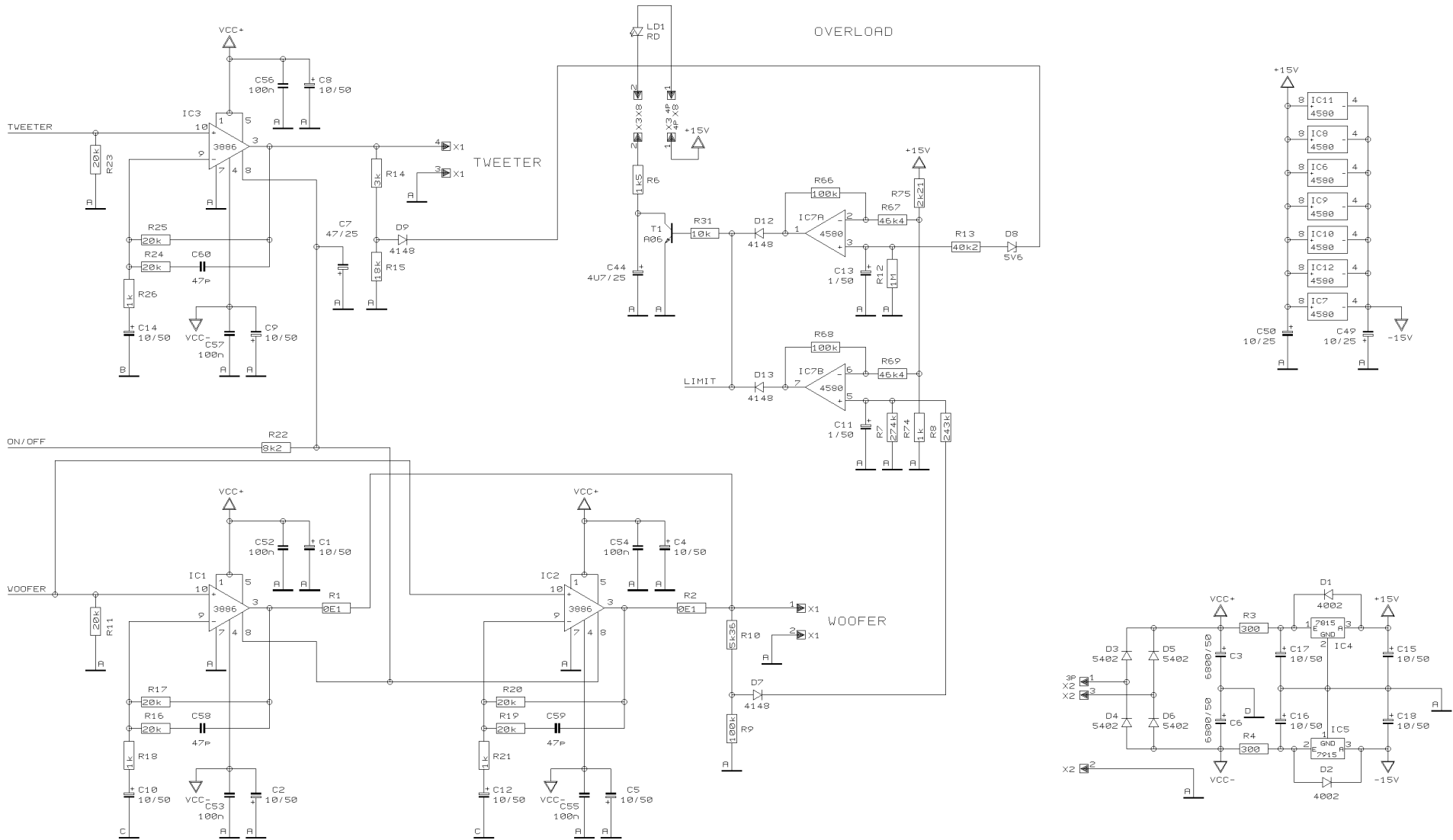
DRAWN BK

CHECKED

DATE 19.02. 1  
8:23



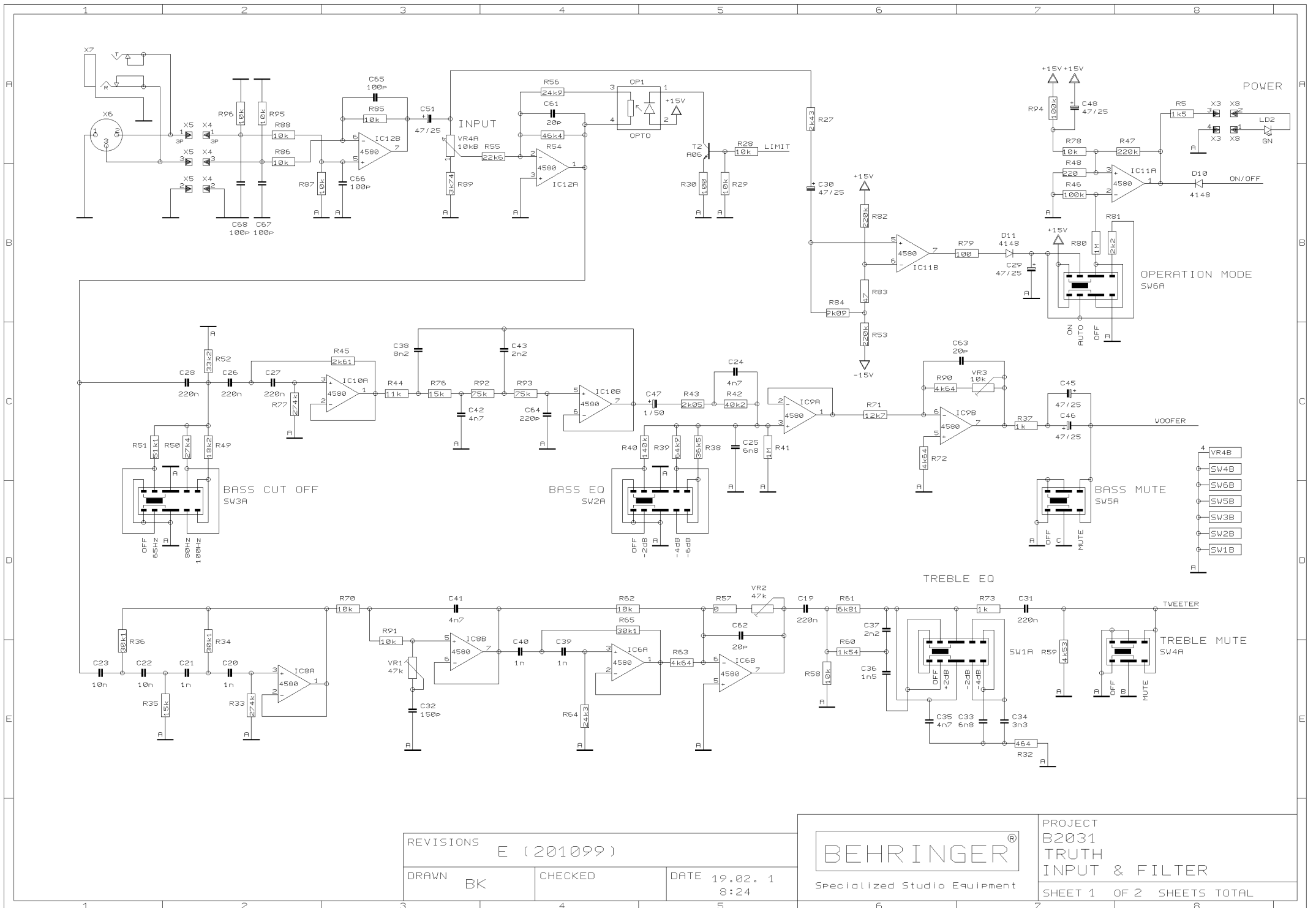
PROJECT  
B2031  
ULTIMATE  
INPUT & FILTER  
SHEET 1 OF 2 SHEETS TOTAL



REVISIONS		D	
DRAWN	BK	CHECKED	DATE 19.02. 1 8:23



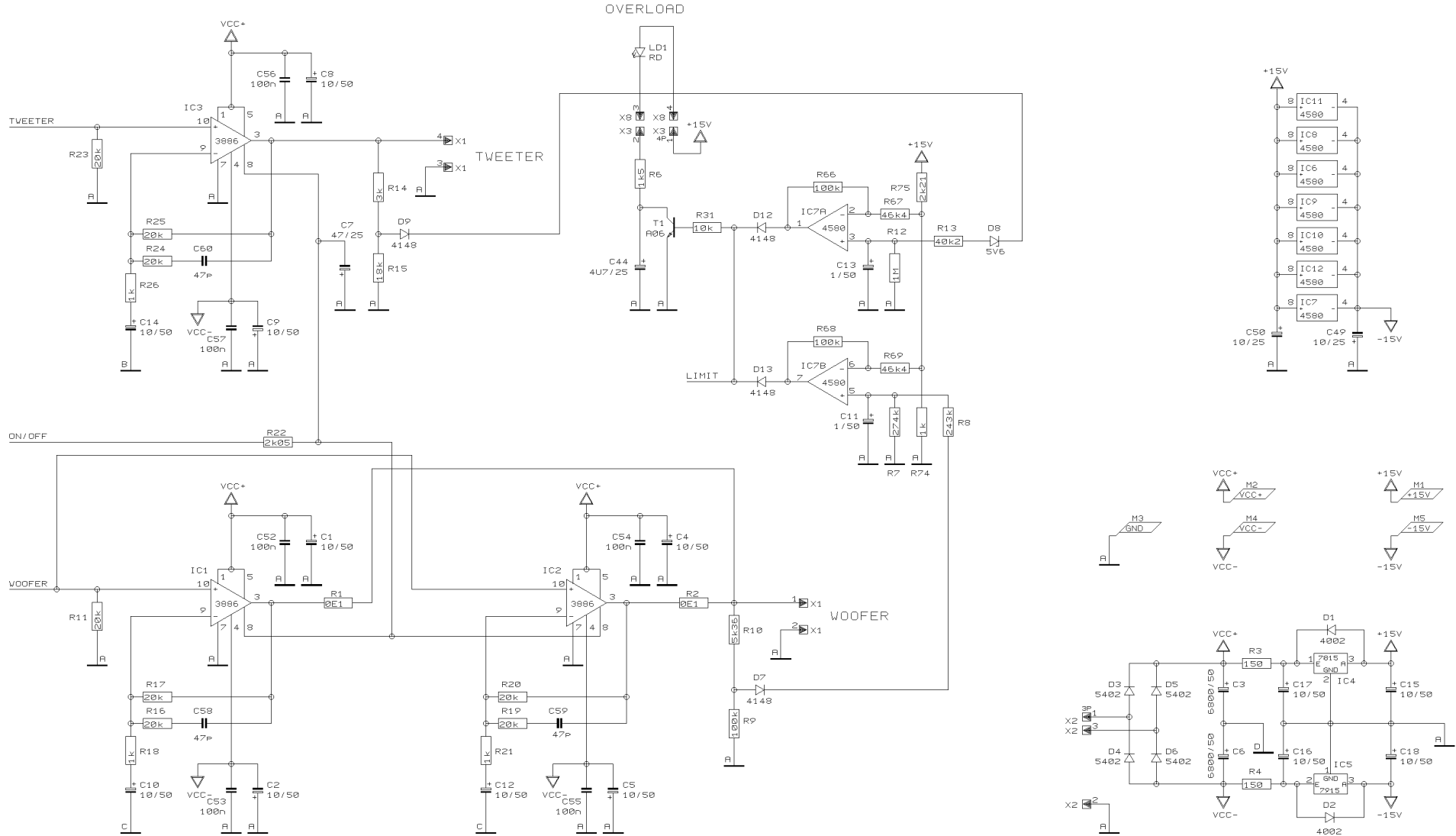
PROJECT  
B2031  
ULTIMATE  
PSU & AMPS  
SHEET 2 OF 2 SHEETS TOTAL



REVISIONS		E (201099)	
DRAWN	BK	CHECKED	DATE 19.02. 1 8:24



PROJECT	B2031
TRUTH	INPUT & FILTER
SHEET 1	OF 2 SHEETS TOTAL



REVISIONS

E

DRAWN

BK

CHECKED

DATE 19.02. 1

8:24

BEHRINGER®

Specialized Studio Equipment

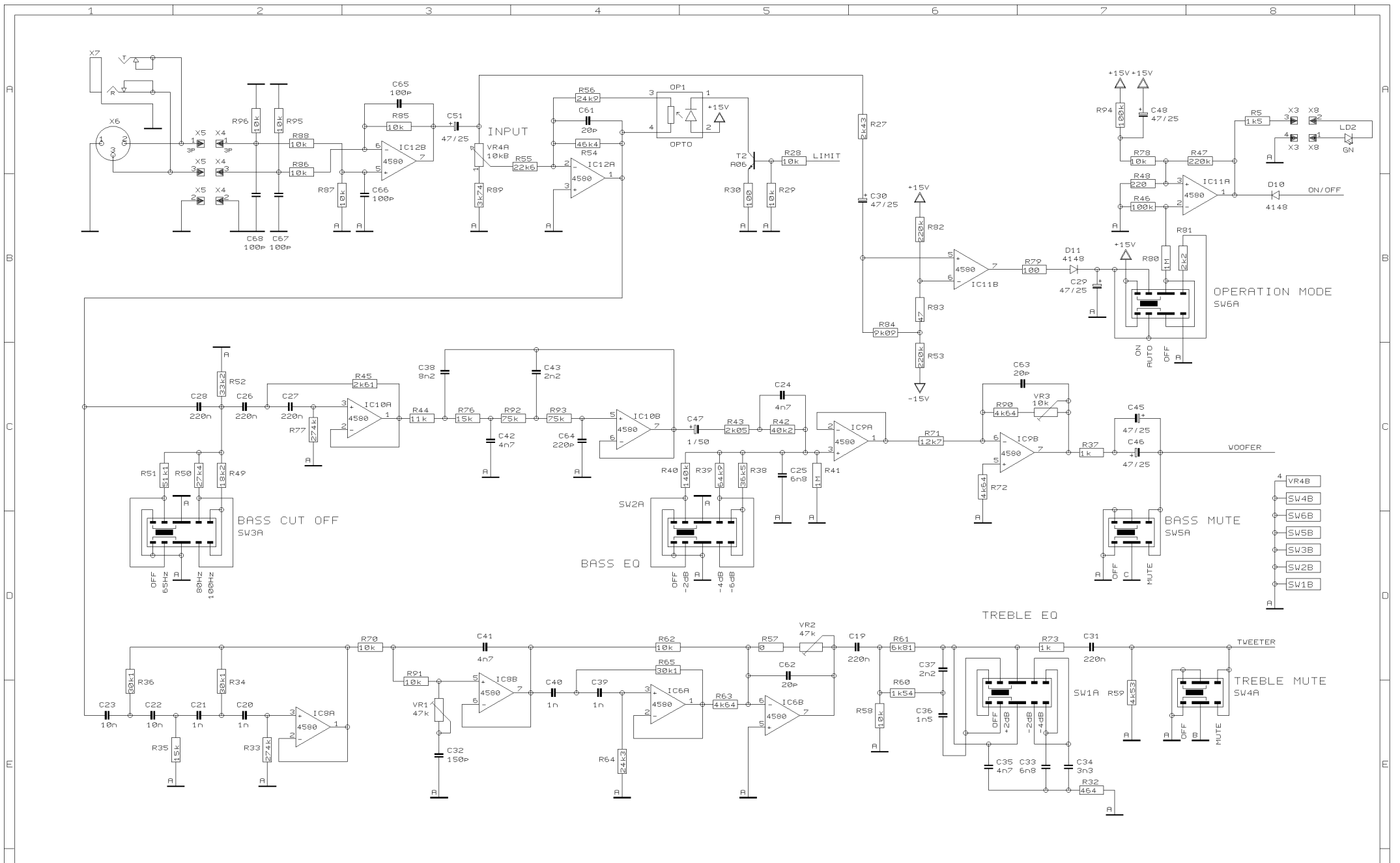
PROJECT

B2031

TRUTH

PSU & AMPS

SHEET 2 OF 2 SHEETS TOTAL



REVISIONS E XOVER141099

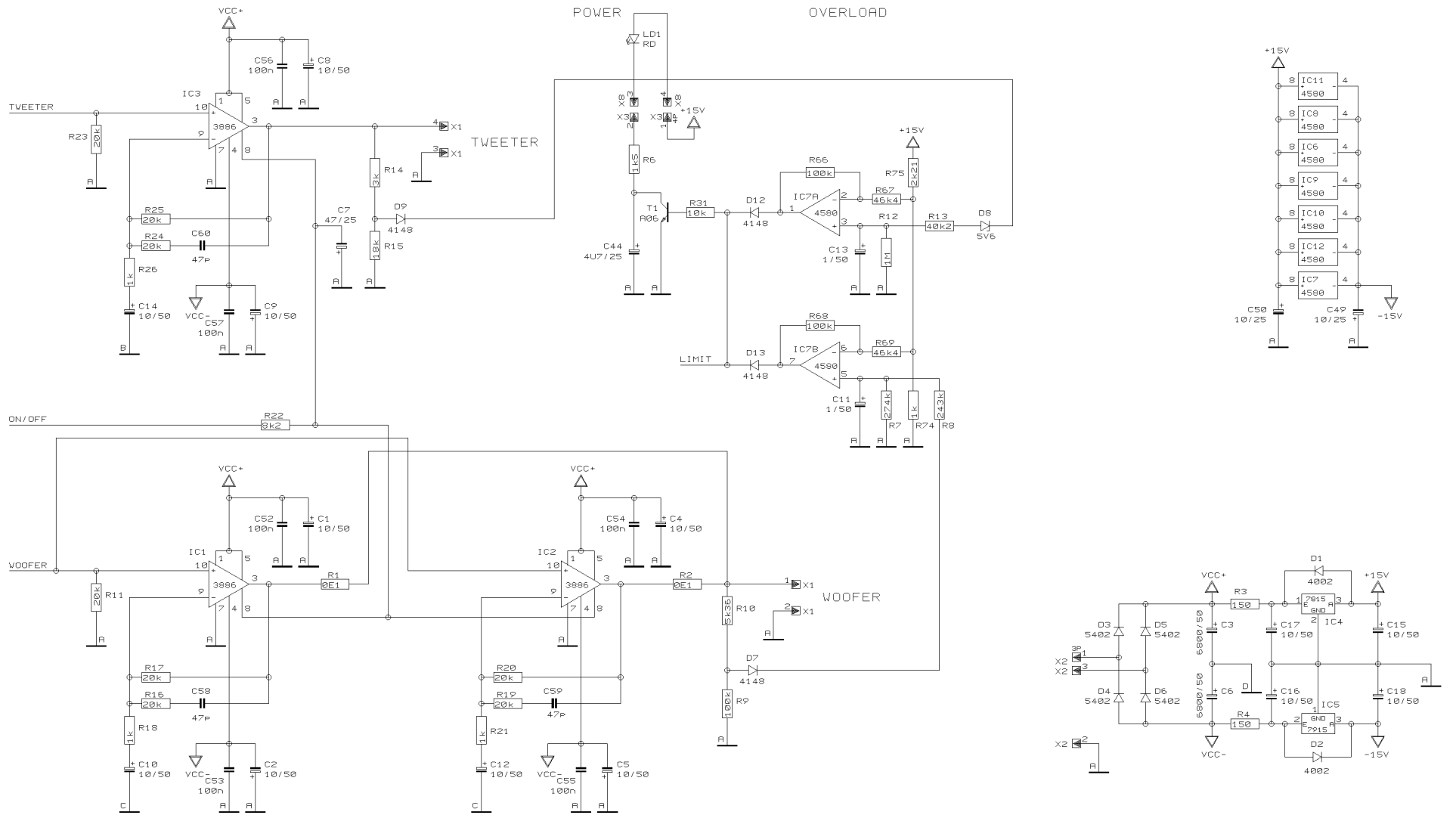
DRAWN BK

CHECKED

DATE 19.02. 1  
8:25



PROJECT B2031  
TRUTH  
INPUT & FILTER  
SHEET 1 OF 2 SHEETS TOTAL



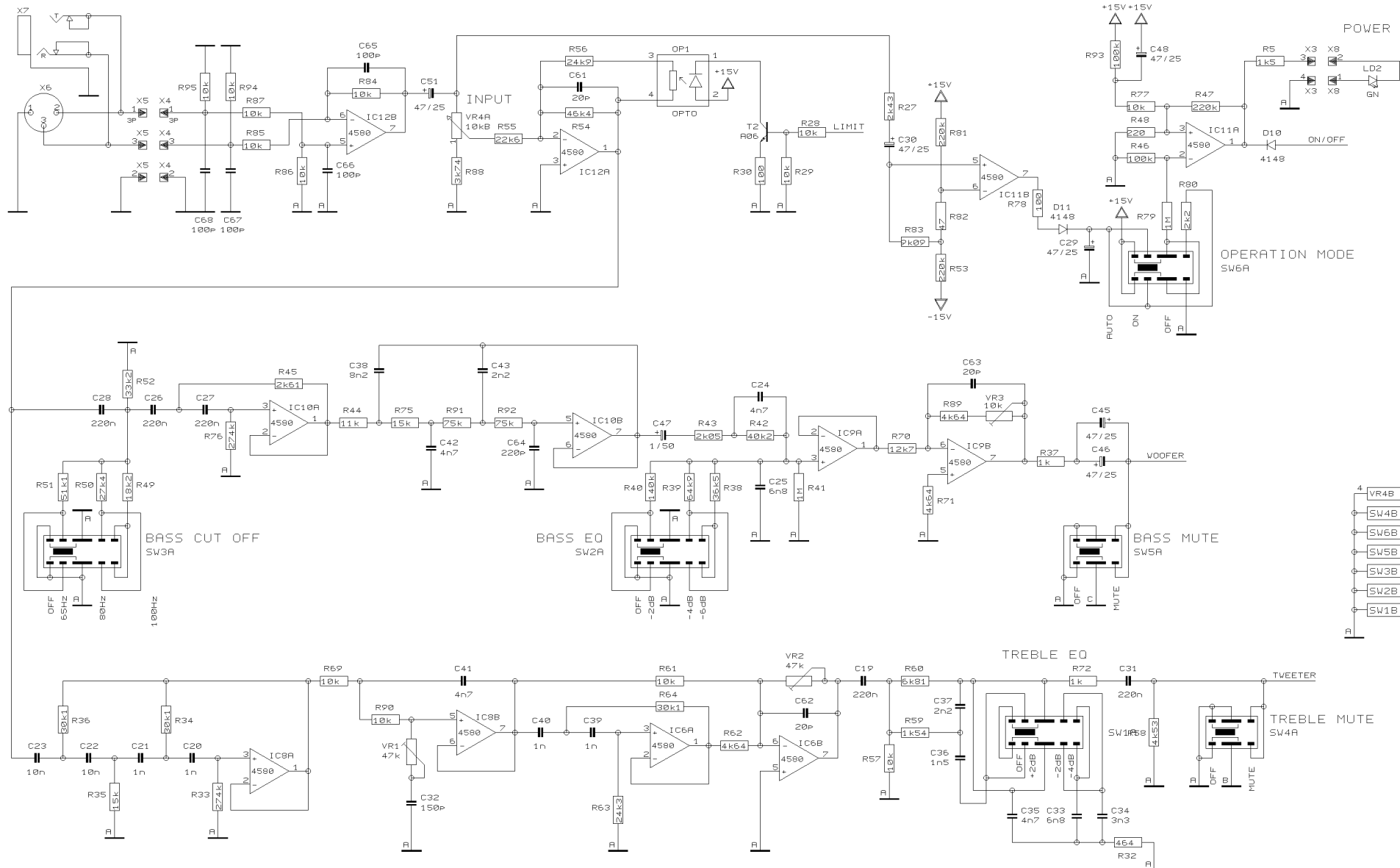
REVISIONS

REVISIONS	D		
DRAWN	BK	CHECKED	DATE 19.02. 1 8:25



PROJECT  
B2031  
TRUTH  
PSU & AMPS  
SHEET 2 OF 2 SHEETS TOTAL





REVISIONS F (260300)

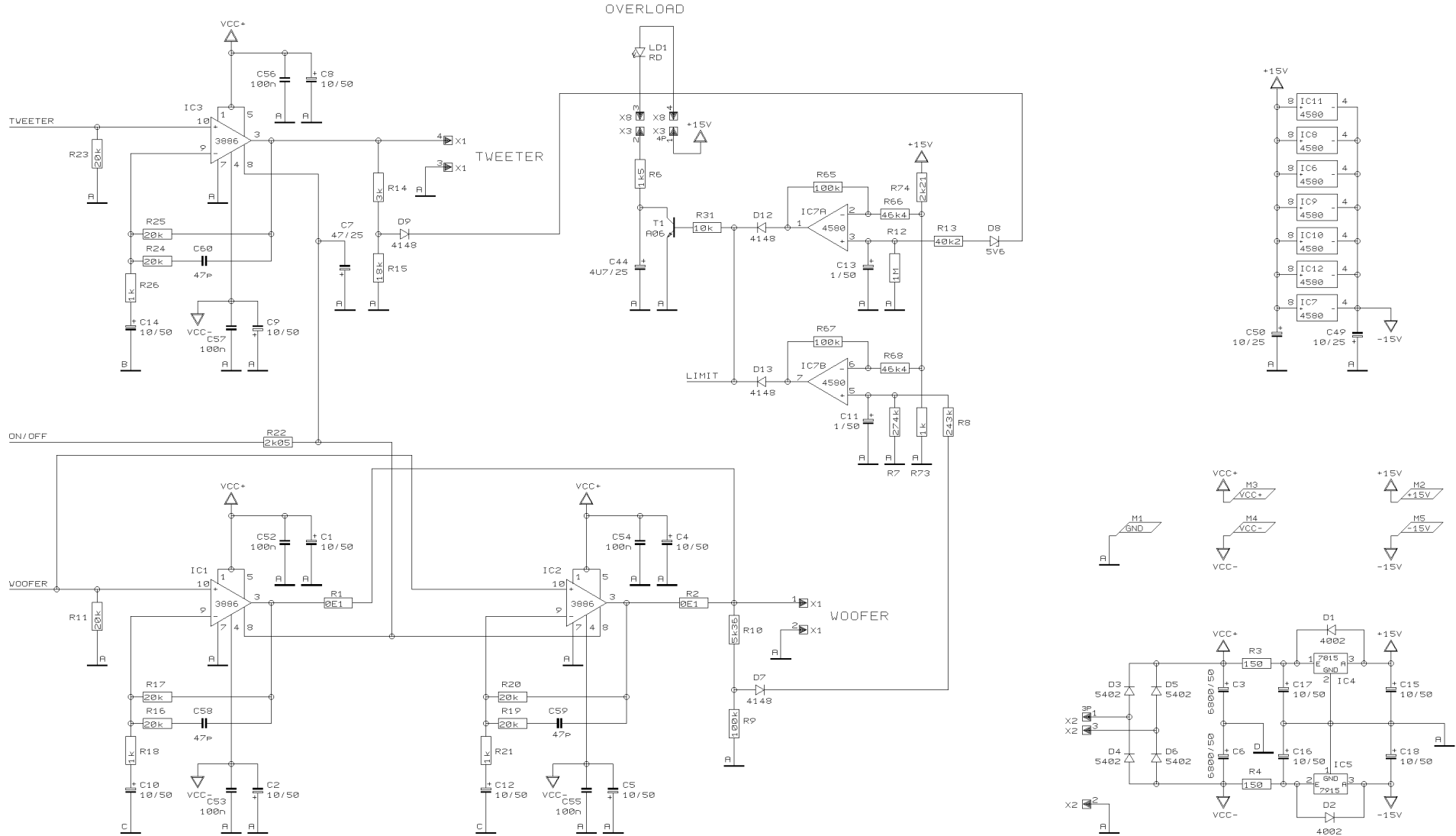
DRAWN BK

CHECKED

DATE 19.02. 1  
8:26



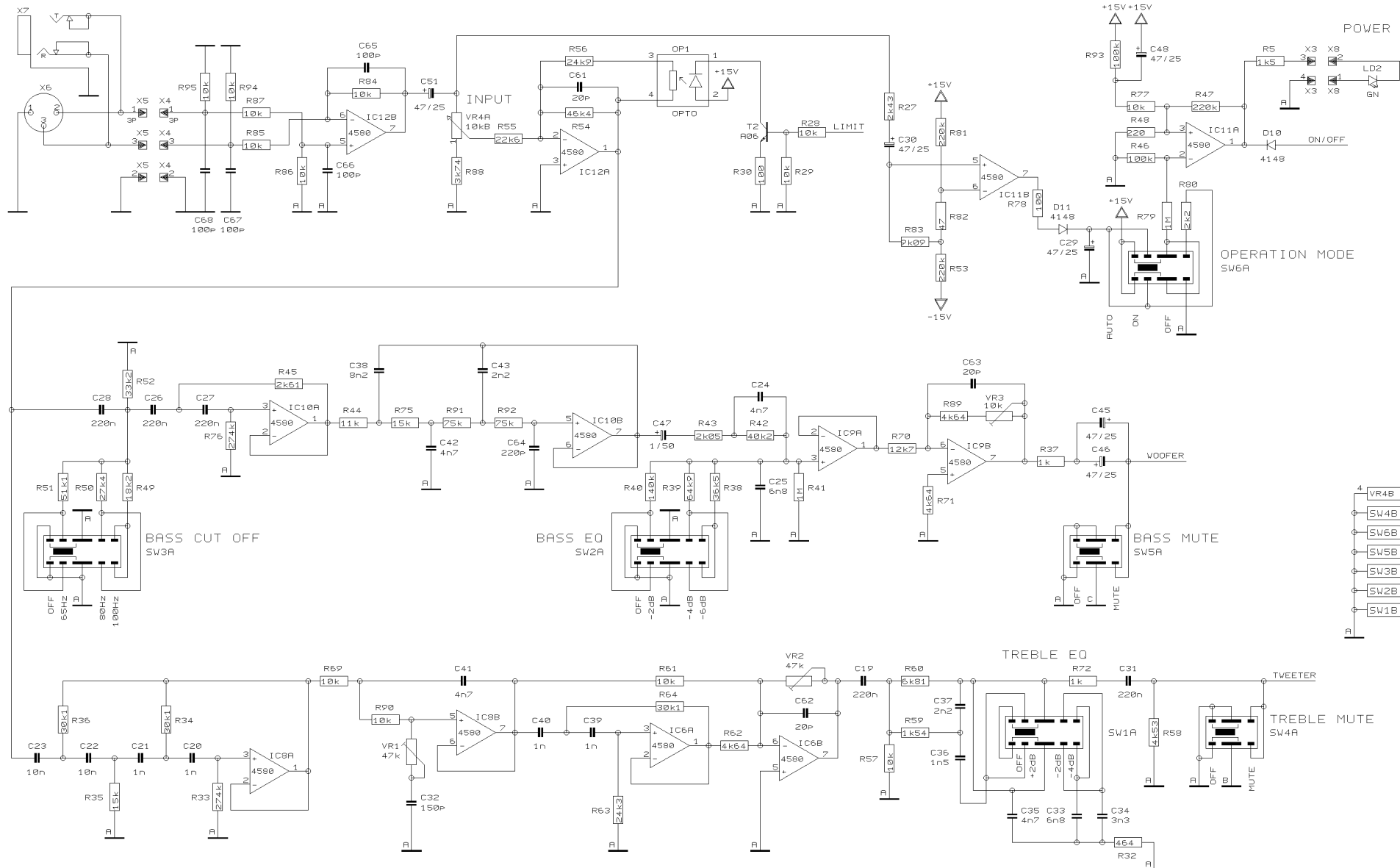
PROJECT B2031  
TRUTH INPUT & FILTER  
SHEET 1 OF 2 SHEETS TOTAL



REVISIONS		F	
DRAWN	BK	CHECKED	DATE 19.02.18:26



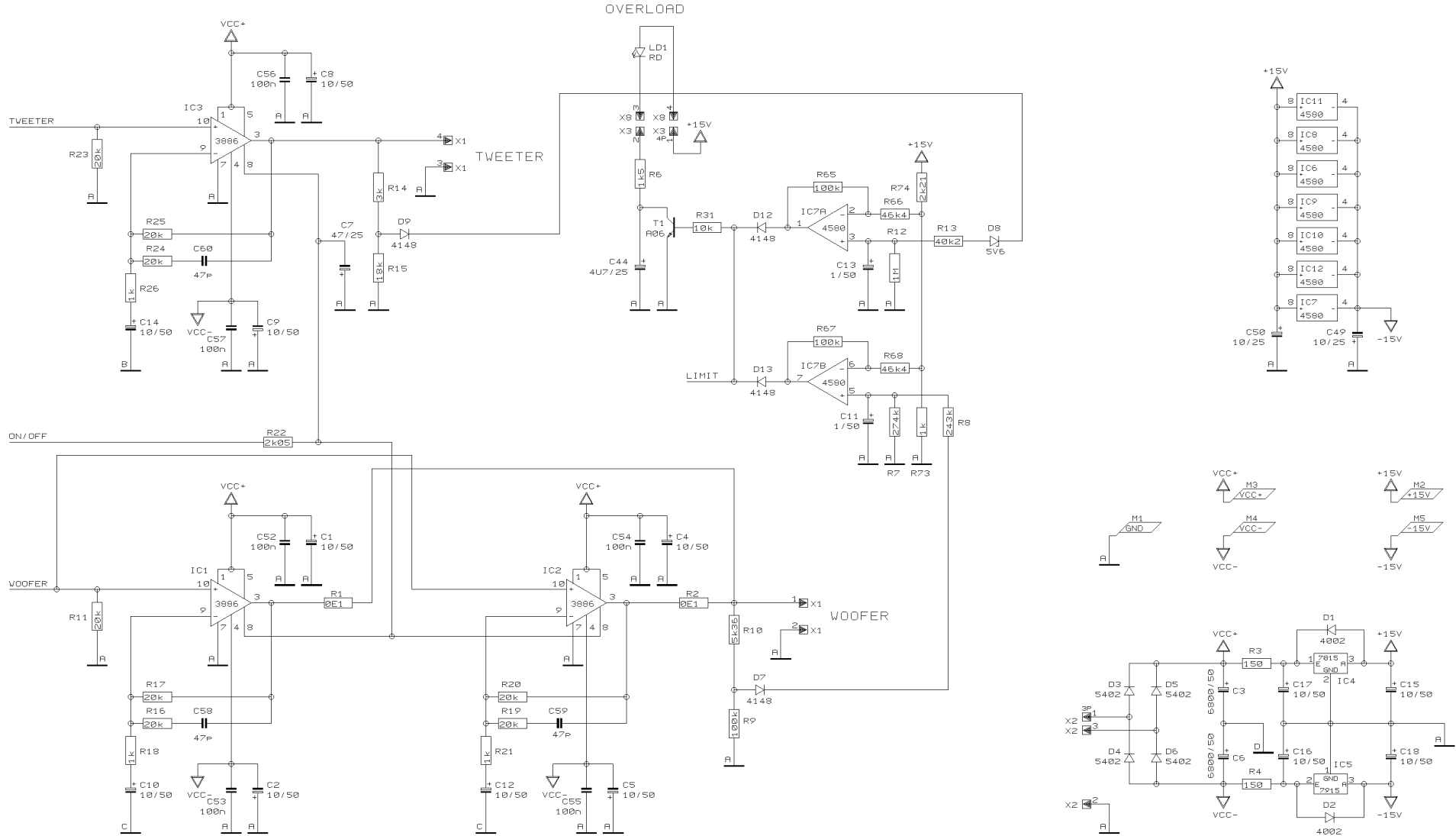
PROJECT  
B2031  
TRUTH  
PSU & AMPS  
SHEET 2 OF 2 SHEETS TOTAL



REVISIONS		G (261200)	
DRAWN	BK	CHECKED	DATE 19.02. 1 8:26



PROJECT  
B2031  
TRUTH  
INPUT & FILTER  
SHEET 1 OF 2 SHEETS TOTAL



REVISIONS		G	
DRAWN	BK	CHECKED	DATE 19.02.18:26



PROJECT	B2031
TRUTH	PSU & AMPS
SHEET 2	OF 2 SHEETS TOTAL